

Installation Instructions

Herringbone

Step
& Wall







REAL WOOD FLOORING



Dear client,
thanks for choosing Step & Wall

Before starting the installation, read carefully the instructions.
If this instructions are not followed, the installer will be acting
on his own responsibility and the guarantee will not be valid.

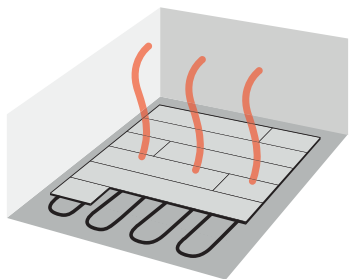
INSTALLATION MATERIALS:

- **Step & Wall floor** 
- **Underlay** 
- **Cutter** 
- **Meter** 
- **Pencil** 
- **Saw** 

Please don't use glue, screws or nails during the installation.

BEFORE INSTALLATION

UNDERFLOOR HEATING



STEP AND WALL floors are suitable for underfloor heating, but we recommend to follow the instructions from the heating manufacturer. Do not exceed 27°C.

STEP AND WALL boxes must be stored 48 hours before installation in the same climatic conditions (temperature and humidity) as at the time of installation. This is an important condition for proper placement and long-term sustainability of the flooring.

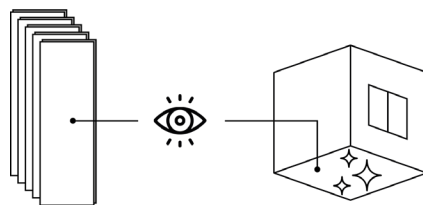
Place the boxes in the center of the room and not against a wall. Open them just before installation. The packages have to be stored horizontally to prevent deformation and never in direct contact with the ground. Check that the content are in perfect conditions. Do not install deficient material.

Important: Do not open the boxes until the moment of installation.

Remark: Veneer flooring is a natural product and therefore unique so no boards are identical. Minor variations in colour and structure are normal. Small natural marks such as knots and mineral streaks are tolerated and have no effect on the quality of the floor.

The under floor on which Step & Wall will be installed must be:

- **Clean and without dust.**
- **Firm and solid**
- **Flat:** maximum height difference can only be of 2 mm (5/64 ") every 2 linear meters (78 47/64").
- **Dry:** humidity must be under 2.5% if the installation doesn't have underfloor heating, 2% in case it does and 10% for multiplex.

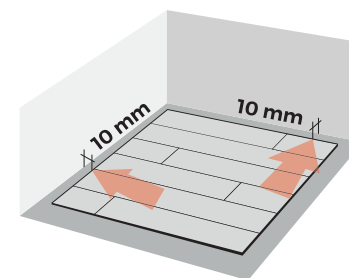


STEP AND WALL can be installed on any surface that is solid and firm. The ideal circumstances for its assembly are a temperature between 16°C (60,8 °F) and 21°C (69,8 °F) and an atmospheric humidity between 40% and 60%.



WALL DISTANCE AND EXPANSION GAPS

Step & Wall is a natural wood floor and therefore may suffer expansion due to changes in the climate conditions. Please consider gaps with a width of 8 to 10 mm and arrange them close to the fixed elements such as walls, door frames, pipes, pillars and stairs. This gaps can be covered with skirtings fixed to the wall, NEVER TO THE FLOOR.

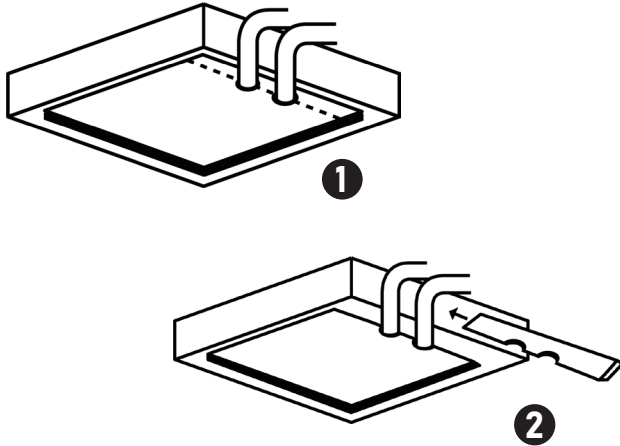


In addition, motion joints must always be installed in the following surface areas and sizes:

- Door thresholds
- Passageways
- Angled areas (L-shaped rooms)
- Room lengths and/or widths of more than 10 m (472 7/16").

HEATING PIPES

The floor around heating pipes can be finished using silicone sealant. It is important that this expansion gap is also sealed properly so that moisture cannot penetrate into the Step and Wall floor.



FINISHING

Install the skirting boards. Remember to attach the skirting to the wall, NEVER TO THE FLOOR. Use silicone if it is not possible to use skirting.

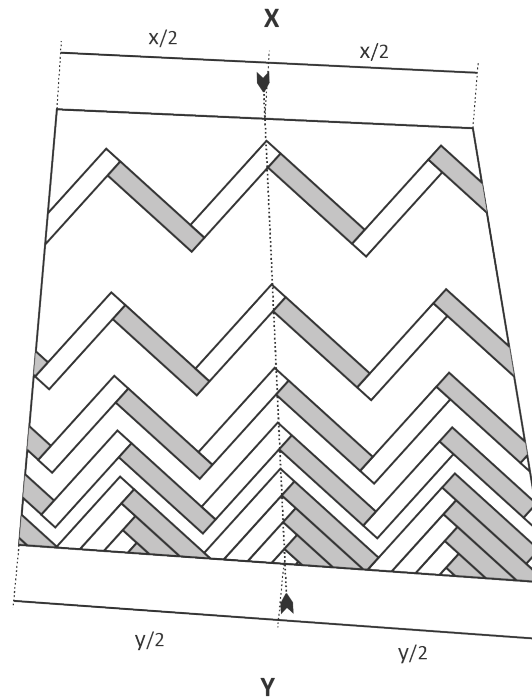
LAYOUT

To get the best visual effect, we recommend you.

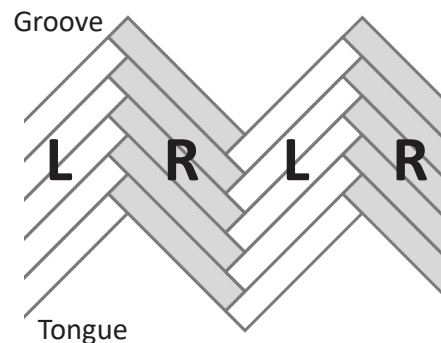
- Run the herringbone pattern in the same direction as the longest wall.
- If there is no a longer wall than the others, align the pattern with the main entrance to the room.
- If there are several entrances, run the pattern towards the wall that lets in the greatest amount of light.

Draw an imaginary line since the middle part of the first

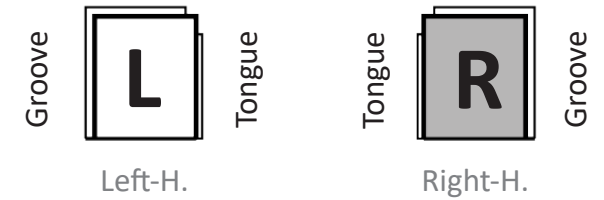
wall to the middle part to the opposite and run the herringbone over it.



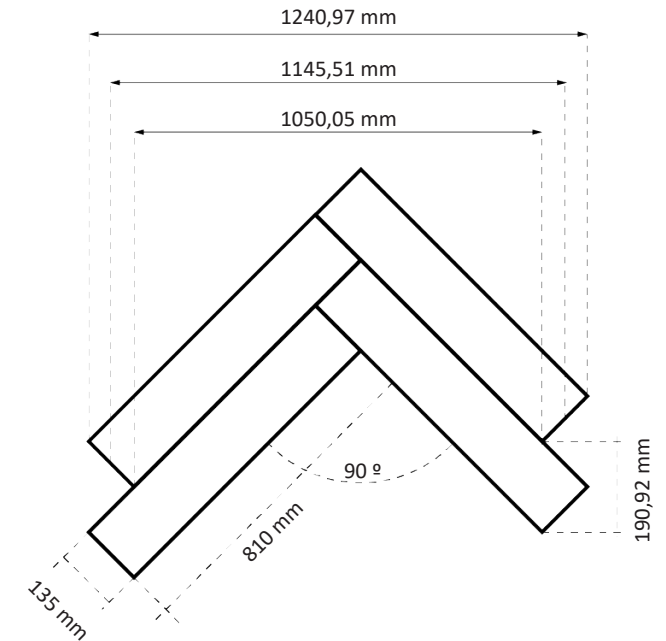
LAYING PATTERN SINGLE HERRINGBONE



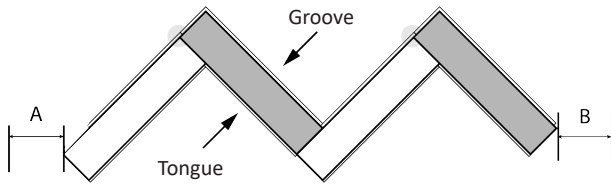
NOTE: THERE ARE LEFT-HAND AND RIGHT-HAND FLOOR-BOARDS.



DIMENSIONS

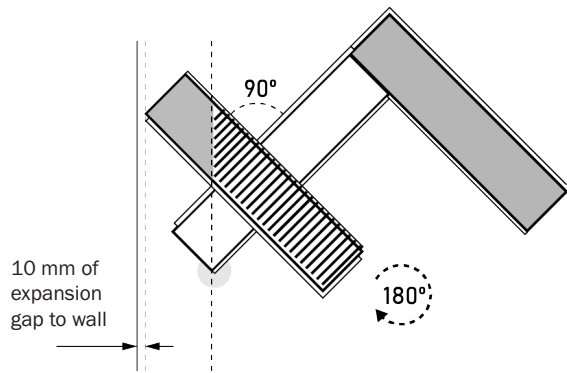


LAYING THE FIRST ROW

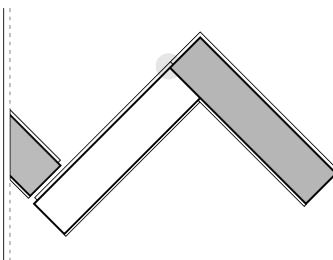


NOTE: Lay the first row in the center on the room and make sure that the points of the panels are perfectly aligned.

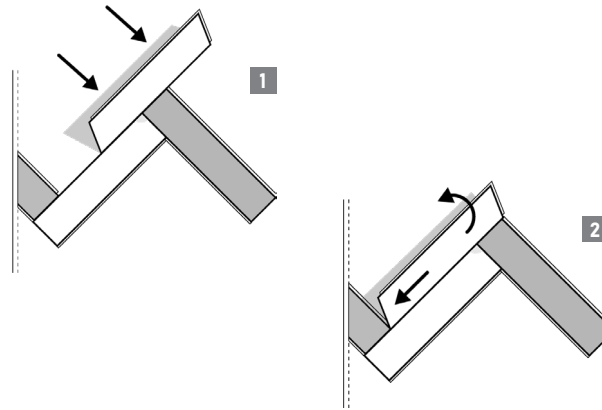
Finish the first row up to the wall.



Rotate the right-hand board 180°, mark and neatly saw off at a 45° angle. Rotate the sawn-off piece 180° and click into the first floorboard. Do the same on the other side.



LAYING THE SECOND ROW



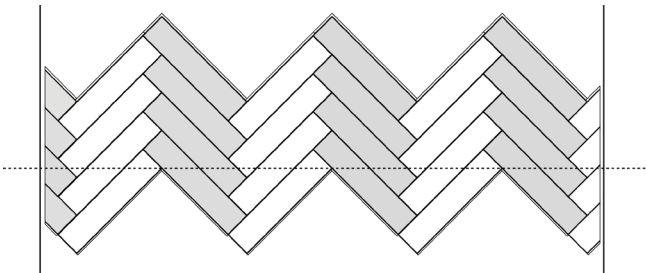
1. Insert (at a shallow angle) the tongue on the long side of floorboard (left-hand board) into the groove on the long side of floorboard B (right-handed board)

2. Slide the floorboard right up against its opposite, and push it down.

3. Then lay all left-hand boards in the same way.

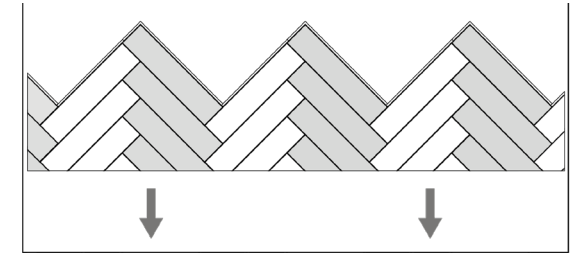
4. Lay all right hands.

LAYING SUBSEQUENT ROWS



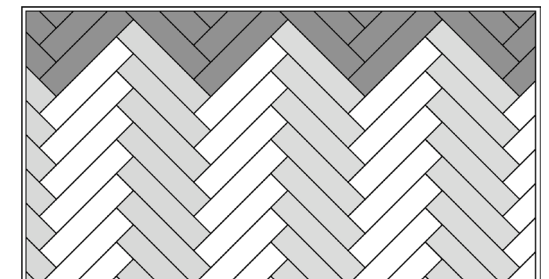
Continue to construct the floor row by row. Lay the left-hand boards first, and then the right-hand boards, on an alternating basis. Also finish the sides row by row.

Saw off the points. Put the sawn-off pieces to one side, in order to re-use them on the other side of the room.

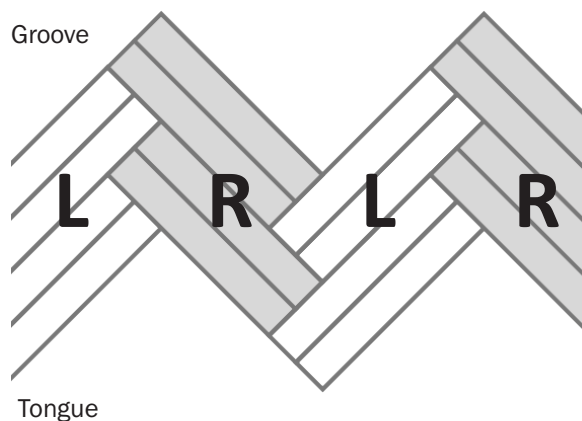


Push the sawn-off floor to 10 mm from the wall. Place spacer blocks between the wall and the floor. Continue finishing the floor.

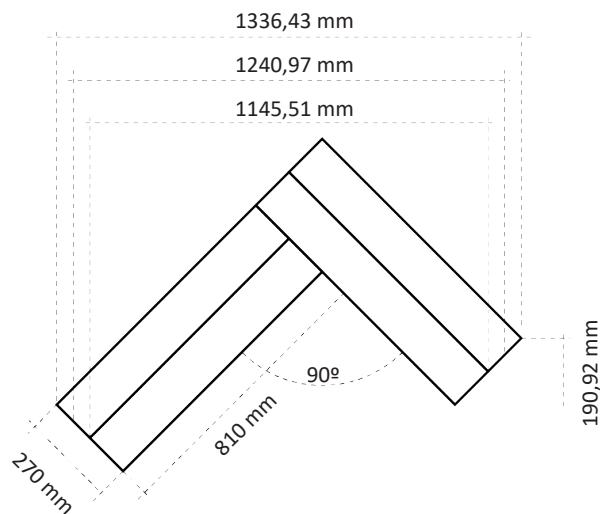
Finish the room with the remaining pieces.



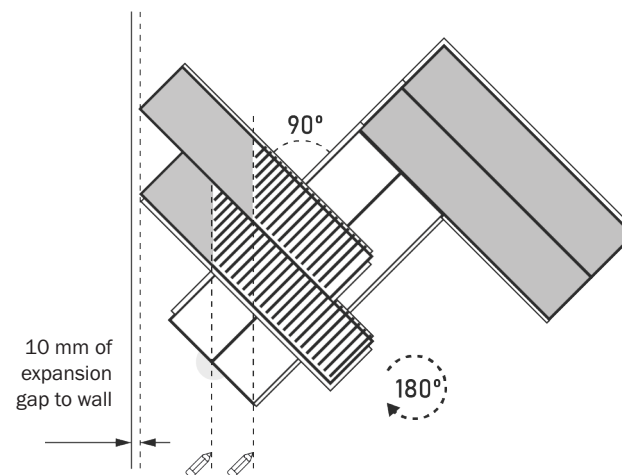
LAYING PATTERN DOUBLE HERRINGBONE



DIMENSIONS



When laying the first row, make sure that the points and sides of the panels are perfectly aligned.



Further finishing is identical to the laying pattern for single herringbone, but with two floorboards.

MAINTENANCE AND PROTECTION



For an optimal protection of your Step & Wall floor, we recommend you:

- Put pieces of felt under the chairs.
- Parquet wheels under office chairs and a protection mat under the chair.
- A doormat in the floor is installed at the entrance.

CLEANING

Dry cleaning is recommended, using a broom or mop frequently, to avoid the presence of sand, gravel, or elements that may scratch the surface.

PRODUCTS

Multi-purpose cleaners tend to create a matte layer on the wood. Do not use them. If you need to apply a cleaning product, check directly the products provided by our varnish manufacturer www.bona.com. Do not use wet cleaning products. In case you need to clean with water, do it as little as possible, and with the mop heavily drained to avoid excess moisture.

REVIVING THE VARNISH APPEARANCE

In case of excessive wear or scratches, it is possible to use a wood varnish restorer to repair or lessen that aspect. We especially recommend the restorer provided by our own manufacturer www.bona.com. The recommendation for floors placed in normal places, is to apply the restorer four times a year, with the surface perfectly clean.

Bona[®]

Step
& Wall

REAL WOOD FLOORING

Contact:

Av. Juan Carlos I, 98, Pedro Muñoz
13620 - Ciudad Real (SPAIN)
Tel: +34 926 569 710
e-mail: info@stepandwall.com